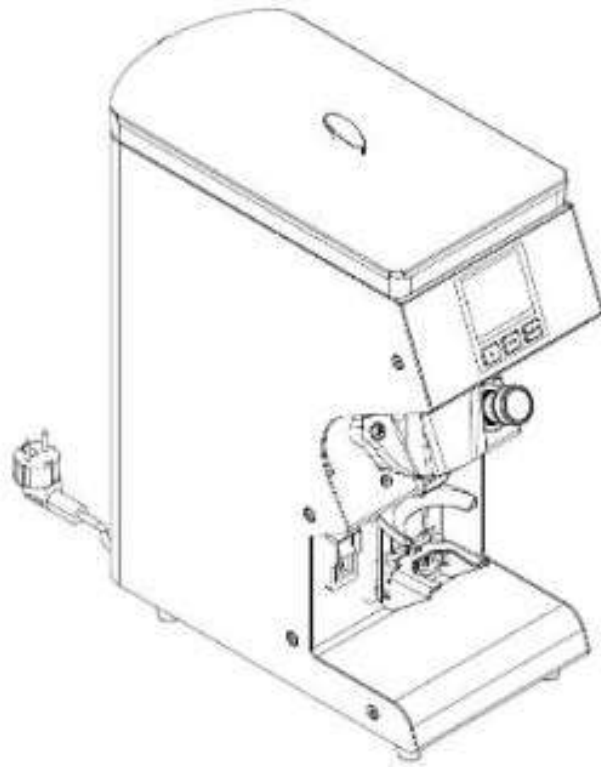


# SPARE PARTS BOOK



Mythos



04/10/2024

---

*Victoria Arduino*

INSPIRED BY YOUR PASSION.



INSPIRED BY YOUR PASSION.

- T.01 **GRINDERS PARTS**  
PARTI MACINADOSATORE
- T.02 **MOTOR+DISPLAY PARTS**  
PARTI MOTORE+DISPLAY
- T.02 bis **MOTOR+PILOT PARTS**  
PARTI MOTORE+PILOT
- T.03 **FORKS TIMER-GRAVI**  
FORCELLE TIMER-GRAVI

» LEGEND :

THE CODES WRITTEN IN BOLD REFER TO THE COMPONENTS  
EMPLOYED CURRENTLY.

THE CODES USED BEFORE ARE WRITTEN IN CORSIVE WITH INDICATED,  
ON THE SIDE, THE END OF VALIDITY DATE.

EXAMPLE:

*03001531 - 01/09/2007*

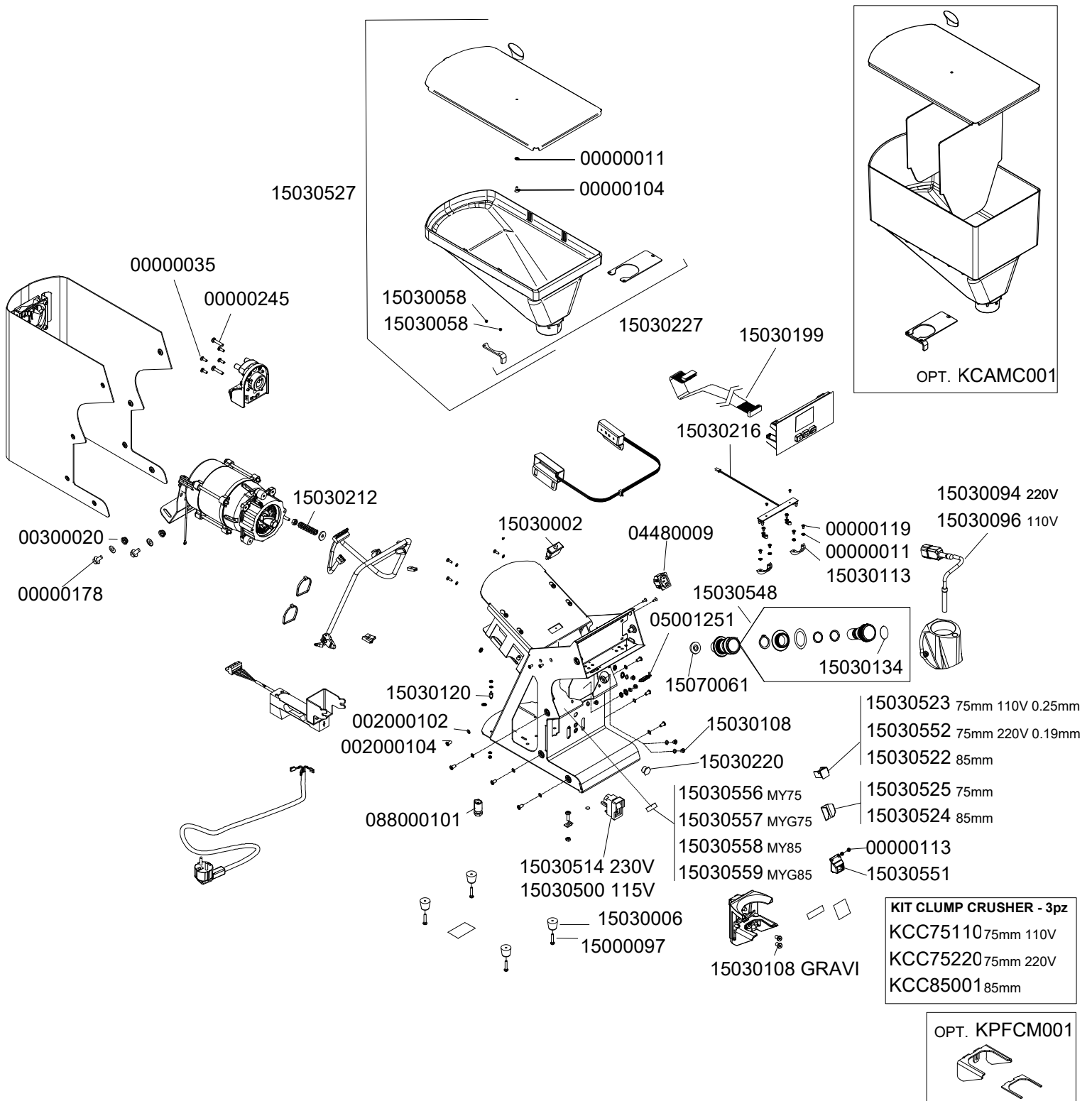
**03001531**



Mythos

# PARTI MACINADOSATORE

## GRINDERS PARTS



T.01



INSPIRED BY YOUR PASSION.



Mythos

## PARTI MACINADOSATORE

## GRINDERS PARTS

COD.	DESCRIPTION	DESCRIZIONE	VAL.
00000011	S/S KNURLED WASHER M4 UNI8842/A	RONDELLA INOX M4 ZIGRINATA UNI8842/A	
00000035	GALV CROSS HEAD/CAP SCREW M4X20	VITE AQ M4x20 TC T.CR. ZINC	
00000104	S/S CROSSHEAD COUNTERSUNK SCREW M4x10 DIN965	VITE INOX M4x10 TSP TCR DIN965	
00000113	S/S CROSS HEAD CAP SCREW M4x6 7985	VITE INOX M4x6 TC TCR 7985	
00000119	SS CROSS HEAD COUNTERSUNK SCREW M4x6 ISO 7046	VITE INOX M4x6 TSPTCR ISO 7046	
00000178	GALV FLANGED KNURLED HEX CAP SCREW 8.8 M6x16	VITE AQ 8.8 M6x16 TE FLANG. ZIGR. ZINC. BIANCO	
00000245	S/S SCREW M4X8 TC TCR DIN 7985	VITE INOX M4x8 TC TCR DIN 7985	
002000102	BURNISHED WASHER dn 10X thi 0.3	RONDELLA AQ M6 sp.0,3 mm BRUNITA 6061.0022BR	
002000104	METRIC SCREW BN1206 M6x12 BLACK 10.9	VITE AQ 10.9 M6x12 TCEI TESTA PIATTA BRUNITA	
00300020	S/S SELF-LOCKING NUT LOW M6	DADO AUTOBLOC INOX M6 BASSO	
04480009	BUILT-IN PLUG IEC 3POLE FASTON 6,3 10A FEMALE	PRESA IEC DA INCASSO 3 POLI FASTON 6,3 10A FEMMINA	
05001251	RUBBER USB COVER AURELIA II	CHIUSURA IN GOMMA PORTA USB LOGO V.A.	
088000101	CABLE CLAMP FOR THE PANEL MM. 13	BLOCCACAVO CON VITE DA PANNELLO MM.13	
15000097	GALV CROSS HEAD SCREW M5X25 6060.0016	VITE AQ M5x25 TC. T.CR. ZINC. 6060.0016	
15030002	SAFETY MICROSWITCH MYTHOS 4110.0007	MICROSW SICUREZZA MYTHOS 4110.0007	
R15030002	KIT-SAFETY MICROSWITCH - 1Pcs	KIT-MICROSW SICUREZZA - 1Pz	
15030006	RUBBER FOOT MYTHOS 4100.0035	PIEDINO GOMMA MYTHOS 4100.0035	
R15030006	KIT-RUBBER FOOT - 5Pcs	KIT-PIEDINO GOMMA - 5Pz	
15030058	S/S SCREW 3x5 TSP TCR 6060.0091	VITE INOX M3x5 TSP TCR 6060.0091	
R15030058	KIT-S/S SCREW 3x5 TSP TCR - 20Pcs	KIT-VITE INOX M3x5 TSP TCR - 20Pz	
15030094	HEAT. ELEMENT 220V+ PLUG MYT VA/2/MYONE4650.0100	RESISTENZA 230V + PRESA x MYT VA/2/MYONE 4650.0100	
15030096	HEAT. ELEMENT 110V+ PLUG MYT VA/2/MYONE4650.0200	RESISTENZA 110V + PRESA x MYT VA/2/MYONE 4650.0200	
15030108	SCREW AQ M6x8 TCEI RIBAS.BN1206 BRUNITA 6060.0116	VITE AQ M6x8 TCEI T.RIBAS.BN1206 BRUNITA 6060.0116	
15030113	LED LID MYTHOS ONE 4110.0012	COPERCHIO LED MYTHOS ONE 4110.0012	
15030120	SPACER THERMOSTAT ENGINE MYTHOS ONE 2501.0020	DISTANZIALE TERMOSTATO MOTORE MYTHOS ONE 2501.0	
15030134	HANDLE ADHESIVE LABEL GRINDER REGISTER E80	ETICHETTA REGOLAZ. MACINATURA SU POMELLO E80	
15030199	20WAY FLAT CABLE MYTHOS 2 CAV41	CAVO FLAT 20 VIE X MYTHOS 2 CAV41	
15030212	SHORT GRINDING REGULATOR SPRING ROD 6002.3708	MOLLA TIRANTE REG. MACINATURA CORTA 6002.3708	
15030216	LED MODULE MYTHOS 2 + CABLE 4600.0109 (+ CAV56)	MODULO LED MYTHOS 2 + CAVETTO 4600.0109 (+ CAV56)	
15030220	PLUG TAP MICRO MYTHOS 2 6050.0020	DADO TAPPO MICRO MYTHOS 2 6050.0020	
15030227	MYTHOS 2 HOPPER TAB	KIT GHIGLIOTTINA+LINGUETTA+VITI CAMPANA MYTHOS410	
15030500	SWITCH 110V MYTHOS MY VA 1011.0054	INTERRUTTORE 110V MYTHOS MY VA1011.0054	
15030514	SWITCH 220VAC 1011.0055	INTERRUTTORE 220Vac1011.0055	
15030522	CLUMP CRUSHER sp.0,19 NM2 MYLAR 4650.0027MYR00-XX	CLUMP CRUSHER NM2 MYLAR sp.0,19 4650.0027MYR00-XXL	
15030523	CLUMP CRUSHER sp.0,25 NM1 4150.0027MYR00-XXL	CLUMP CRUSHER NM1 sp.0,254150.2527MYR00-XXL	
15030524	COFFEE CHUTE S/S MYTHOS VA 85 4650.0084A0R00-901	SCIVOLO MYTHOS VA 85 INOX LUCIDO 4650.0084A0R01-901	
15030525	COFFEE CHUTE S/S MYTHOS VA 75 4150.0084A0R00-901	SCIVOLO MYTHOS VA 75 INOX LUCIDO 4150.0084A0R00-901	
15030527	COMPLETE HOPPER NM1/NM2 BLACK COVER 4650.1000A	CAMPANA COMPLETA NM1/NM2 COPERCHIO NERO4650.10	
15030548	GRINDER REGISTER HANDLE NM2 RIC-POM. 4650-001	POMELLO REGISTRO MACINATURA NM2RIC-POM.4650-001	
15030551	EXTENDED GRINDER NOZZLE 4650.0007ALR01-XP5	BOCCHETTONE BECCO USCITA NM2 LUCIDATO ALLARGAT	
15030552	CLUMP CRUSHER sp.0,19 NM1 4150.0027MYR01-XXL	CLUMP CRUSHER NM1 sp.0,19 4150.0027MYR01-XXL	
15030556	MYTHOS MY75 LABEL E00243-039006-R00	ETICHETTA MYTHOS MY75 E00243-039006-R00	
15030557	MYTHOS MYG75 LABEL E00244-039006-R00	ETICHETTA MYTHOS MYG75 E00244-039006-R00	
15030558	MYTHOS MY85 LABEL E00245-039006-R00	ETICHETTA MYTHOS MY85 E00245-039006-R00	
15030559	MYTHOS MYG85 LABEL E00246-039006-R00	ETICHETTA MYTHOS MYG85 E00246-039006-R00	
15070061	ROD BUSHING POSITIONING - MDJ TEFLON 2501.0026	BOCCOLA CENTRAGGIO ASTA x MDJ TEFLON 2501.0026	
KCAMC001	KIT COFFEE HOPPER 3KG MYTHOS VA	KIT CAMPANA CAFFE' 3KG MYTHOS VA	



INSPIRED BY YOUR PASSION.

T.01



Mythos

## PARTI MACINADOSATORE

## GRINDERS PARTS

COD.	DESCRIPTION	DESCRIZIONE	VAL.
KCC75110		KIT CLUMP CRUSHER MYTHOS VA D75 110V (3pz.)RIC-FLA.	
KCC85001		KIT CLUMP CRUSHER MYTHOS VA D85 (3pz.)4650.0027MYR	
KPFCM001	PURE BREW FILTERHOLDER FORK GRINDER MYTHOS	FORCELLA MACININO MYTHOS VA PORTAFILTRO PURE BR	



INSPIRED BY YOUR PASSION.

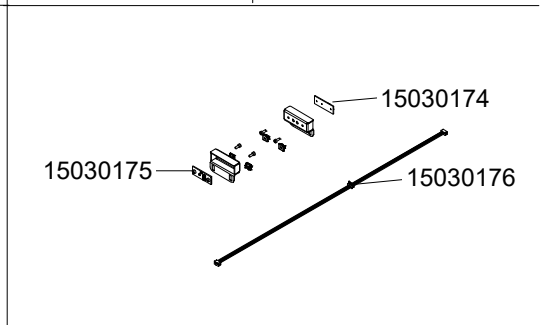
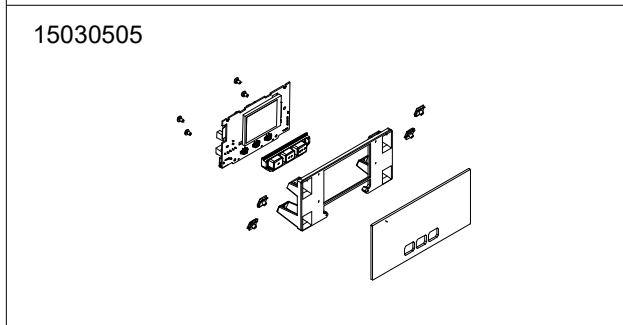
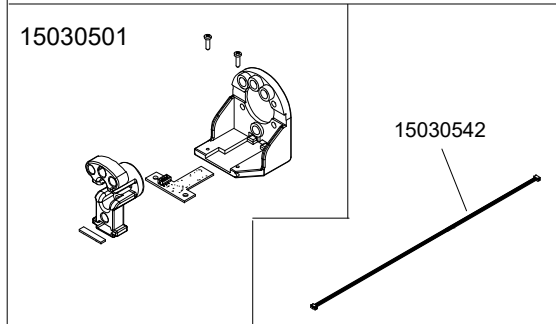
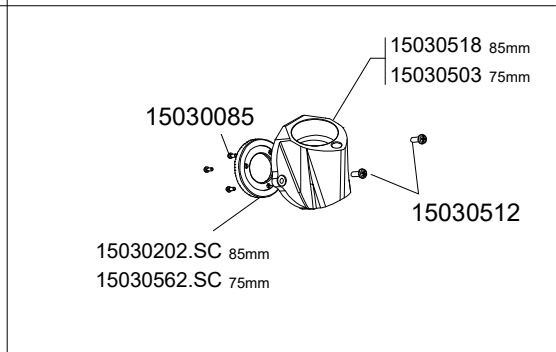
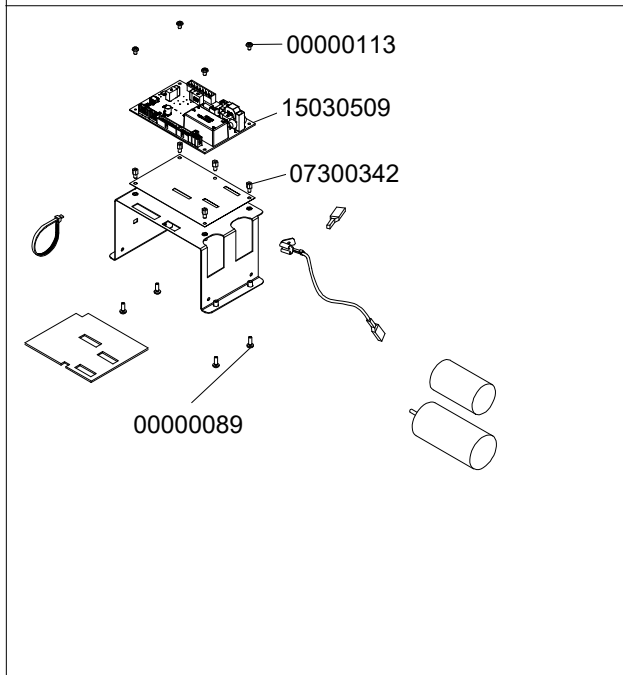
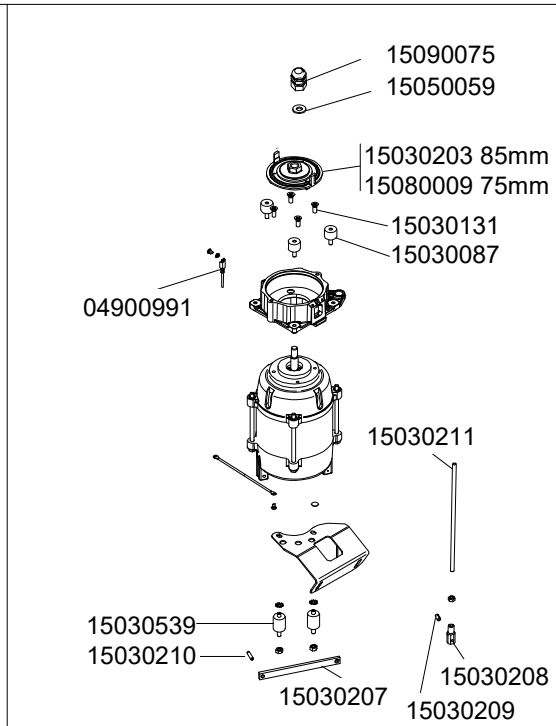
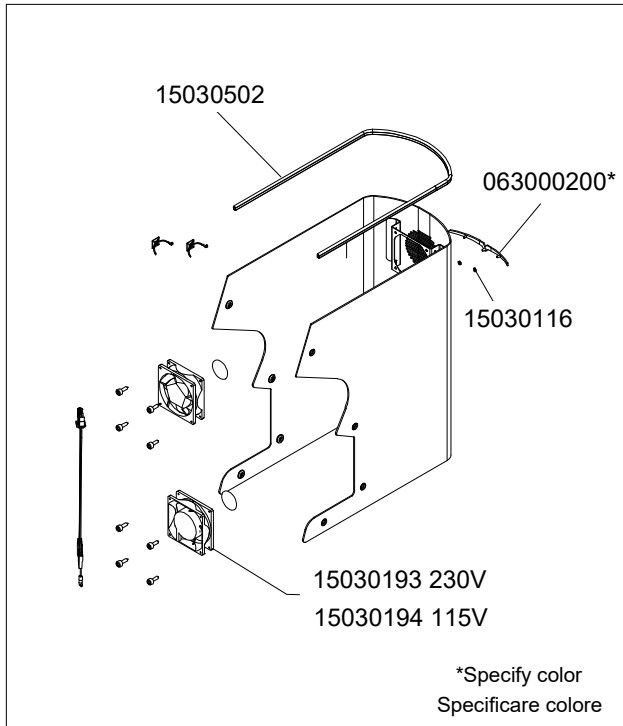
T.01



Plythos

# PARTI MOTORE+DISPLAY

## MOTOR+DISPLAY PARTS





Mythos

**PARTI MOTORE+DISPLAY****MOTOR+DISPLAY PARTS**

COD.	DESCRIPTION	DESCRIZIONE	VAL.
00000089	S/S CROSSHEAD CAP SCREW M4x12 DIN7985	VITE INOX M4x12 TC TCR DIN7985	
00000113	S/S CROS SHEAD CAP SCREW M4x6 7985	VITE INOX M4x6 TC TCR 7985	
04900991	GROUP TEMPERATURE PROBE PT1000 AURELIAII TFT	SONDA TEMPERATURA PT1000 GR. AURELIA II "DISPLAY A	
063000200.OTV	LOGO VA PAINT. BRASS	LOGO AQUILA POSTERIORE NM1/NM2 OTTONE VERN.	
063000200	LOGO VA	LOGO AQUILA POSTERIORE NM1/NM2 CROMATO	
063000200.RMV	LOGO VA PAINT. RED MAVERICK	LOGO AQUILA POSTERIORE NM1/NM2 ROSSO MAVERICK V	
07300342	NICKEL PLATED CONTROL UNIT SUPPORT PIN	PERNO SUPPORTO CENTRAL. VIP NICHELATO	
15030085	S/S SCREW M4x10 TCT(-) CUTTING HEAD 6060.0002 BURF	VITE INOX M4x10 TCT(-) TESTA TAGLIO 6060.0002FISS. MAC	
15030087	VIBRATION DAMPER D20xH15xL16 M6 M/F 4110.0010	ANTIVIBRANTE D20xH15xL16 M6 M/F 4110.0010	
15030116	SELF BLOCKING NUT M3 MYTHOS 6062.0011	DADO AUTOBLOC M3 MYTHOS 6062.0011	
15030131	S/S SCREW M6x16 TSP T.C.R. 6060.0012	VITE INOX M6x16 TSP TCR 6060.0012	
15030174	TX SENSOR FOR LEVEL SCREW W/O HEAD (RIGHT SIDE)	SENSORE TX PER LIVELLO GRANO (LATO DX) 4600.0106TX	
15030175	TX SENSOR FOR LEVEL SCREW W/O HEAD (LEFT SIDE) 4	SENSORE RX PER LIVELLO GRANO (LATO SX) 4600.0106RX	
15030176	CONNECTION CABLE FOR SENSOR COFFEE PRESENCE I	CAVO COLL. SENSORI PRESENZA CAFFE' MYTHOS2 CAV10	
15030193	FAN 230V MYTHOS 2 CABLED 4600.0420	VENTOLA 230V MYTHOS 2 CABLATA 4600.0420	
15030194	FAN 110V MYTHOS 2 CABLED 4600.0410	VENTOLA 110V MYTHOS 2 CABLATA 4600.0410	
15030202.SC	BURR PAIR D.85 LONG LIFE + BOX	COPPIA MACINE D.85 LONG LIFE + SCATOLA	
15030203	INFERIOR BURR HOLDER MYTHOS 2 4600.0014-RIC	PORTAMACINA INF. MYTHOS 2 4600.0014-RIC	
15030207	MYTHOS LOW REGISTER AUCTION 2570.0005	ASTA REGISTRO MYTHOS LOW 2570.0005	
15030208	FORK REGISTER MDL / C- MCD - MYTHOS 2501.0013	FORCELLA REGISTRO MDL/C- MCD -MYTHOS 2501.0013	
15030209	ELASTIC PIN 5x12 6040.0019	SPINA ELASTICA 5x12 6040.0019	
15030210	ELASTIC PIN 5x20 6040.0001	SPINA ELASTICA 5x20 6040.0001	
15030211	TIE-ROD REG. MCD - MYTHOS LOW 6001.0005	TIRANTE REG. MCD - MYTHOS LOW 6001.0005	
15030501	BURRS READING SET 4650.0820A0R00-XXX	KIT LETTURA MACINE4650.0820A0R00-XXX	
15030502	DAMPING GASKET 4110.0011v1509	GUARNIZIONE SMORZATRICE 4110.0011v1509(MYTHOS ON	
15030503	SUPERIOR BURR HOLDER D.75 4150.0005A0R00-XP5	PORTAMACINE SUP. DIA.75 NM1 LUC4150.0005A0R00-XP5	
15030505	CONTROL PANEL 4650.0020A0R02-XXX	PANN. COMANDI x MYTHOS NM1/NM24650.0020A0R05-XXX	
15030509	MAIN BOARD 220/100 V 4650.0210A0R00-XXX	SCHEDA ALIMENTAZIONE 220/100V4650.0210A0R00-XXX	
15030512	S/S SCREW CROSS CYL HEAD M6X16 6060.0169	VITE TCC 6X16 INOX(A2) ISO 7045-H6060.0169	
15030518	SUPERIOR BURR HOLDER D.85 4650.0005A0R00-XP5	PORTAMACINE SUP. DIA.85 NM2 LUC4650.0005A0R00-XP5	
15030539	VIBRAT.DAMPER D20xH25 M6x6 M6x14 SH.60 6040.0098	ANTIVIBRANTE D20xH25 M6x6 M6x14 SH.60 6040.0098	
15030542	DISPLAY-GRINDING READER CONNECT. CABLE CAV105	CAVO COLLEG. DISPLAY-LETT.MACINE CAV105	
15030562.SC		COPPIA MACINE D.75 MYTHOS LONG LIFE 2024 + SCATOLA	
15050059	S/S WASHER M10 10,5x21 UNI6592 6061.0001	RONDELLA INOX M10 10,5x21 UNI6592 6061.0001	
15080009	INFERIOR BURR HOLDER 75 2520.0005-RIC	PORTAMACINA INFERIORE 75 2520.0005-RIC	
15090075	NUT-STOP BURR HOLDER 2501.0003-R04	DADO FERMA PORTAMACINE 2501.0003-R04	



Plythos

PARTI MOTORE+PILOT

MOTOR+PILOT PARTS

**CAPACITOR & PILOT**

	<b>CAPACITOR</b>	<b>PILOT</b>
MY85 110V	15030027	15030226
MY75 110V	2 x 15030068	No present
MY75HS 220V	15030068	No present
MY85 220V	15030515	15030519

**CAPACITOR & PILOT**

	<b>Capacitor before</b> SN N20072351000948 (12/01/2024)	<b>Pilot before</b> SN N20072351000948 (12/01/2024)	<b>Capacitor after</b> SN N20072351000948 (12/01/2024)	<b>Pilot after</b> N20072351000948 (12/01/2024)
MY75 220V	15030515	No present	15030515	15030519

**MOTORS**

MY75 110V	15030534
MY75 220V	15030561
MY75HS 220V	15030565
MY85 110V	15030532
M85 220V	15030531





Mythos

**PARTI MOTORE+PILOT**

**MOTOR+PILOT PARTS**

<b>COD.</b>	<b>DESCRIPTION</b>	<b>DESCRIZIONE</b>	<b>VAL.</b>
15030027	60 mF UL CONDENSER 10130060	CONDENSATORE 60mF UL 1013.0060	
15030068	CAPACITOR 50mF x MYTHOS LOW-SPEED 110V 1012.0007	CONDENSATORE 50mF x MYTHOS LOW-SPEED 110V1012.0	
15030226	PILOT 110V FOR MYTHOS 2 1012.0009	PILOT 110V X MYTHOS 2 1012.0009	
15030515	CAPACITOR MF. 16/450 1013.1600	CONDENSATORE MF.16/4501013.1600	
15030519	STARTER GROUP S1-10-00-450 - Ts=0,3 1012.0014	GRUPPO AVVIAMENTO S1-10-00-450 - Ts=0,31012.0014	
15030531	COMPLETE ENGINEMYTHOS VA D.85 220V	MOTORE COMPL. MYTHOS VA D.85 220V RIC-MO2.9058-001	
15030532	COMPLETE ENGINE VA D.85 110 V	MOTORE COMPL. MYTHOS VA D.85 110V RIC-MO1.9058-001	
15030534	COMPLETE ENGINE MYTHOS VA D.75 110V	MOTORE COMPL. MYTHOS VA D.75 110V RIC-MO1.9057-001	
15030561	COMPLETE ENGINE MYTHOS VA D.75 220V	MOTORE COMPL. MYTHOS VA D.75 "2024" 220VRIC-MO2.9057-001	
15030565	COMPLETE ENGINEMYTHOS VA D.75 HS 220V	MOTORE COMPL. MYTHOS VA HS D.75 220VRIC-MO2.9057-001	



INSPIRED BY YOUR PASSION.

T.02 bis

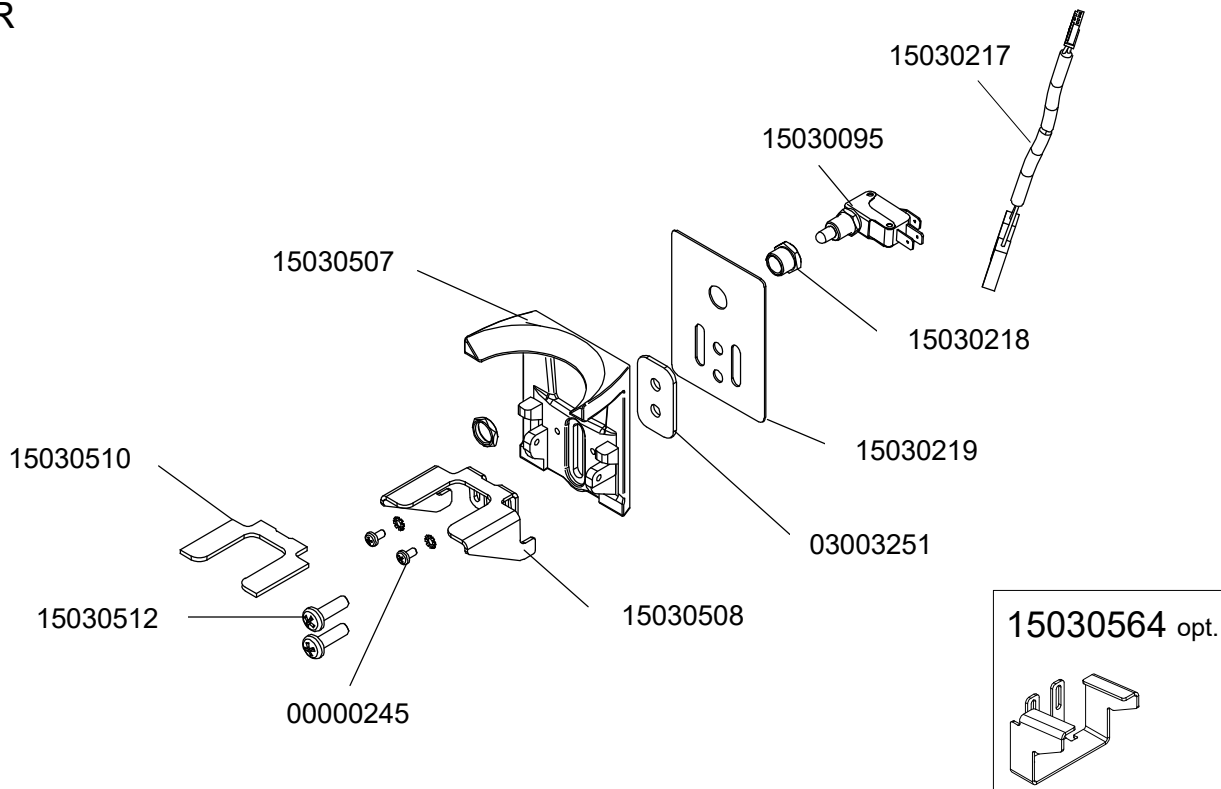


Plythos

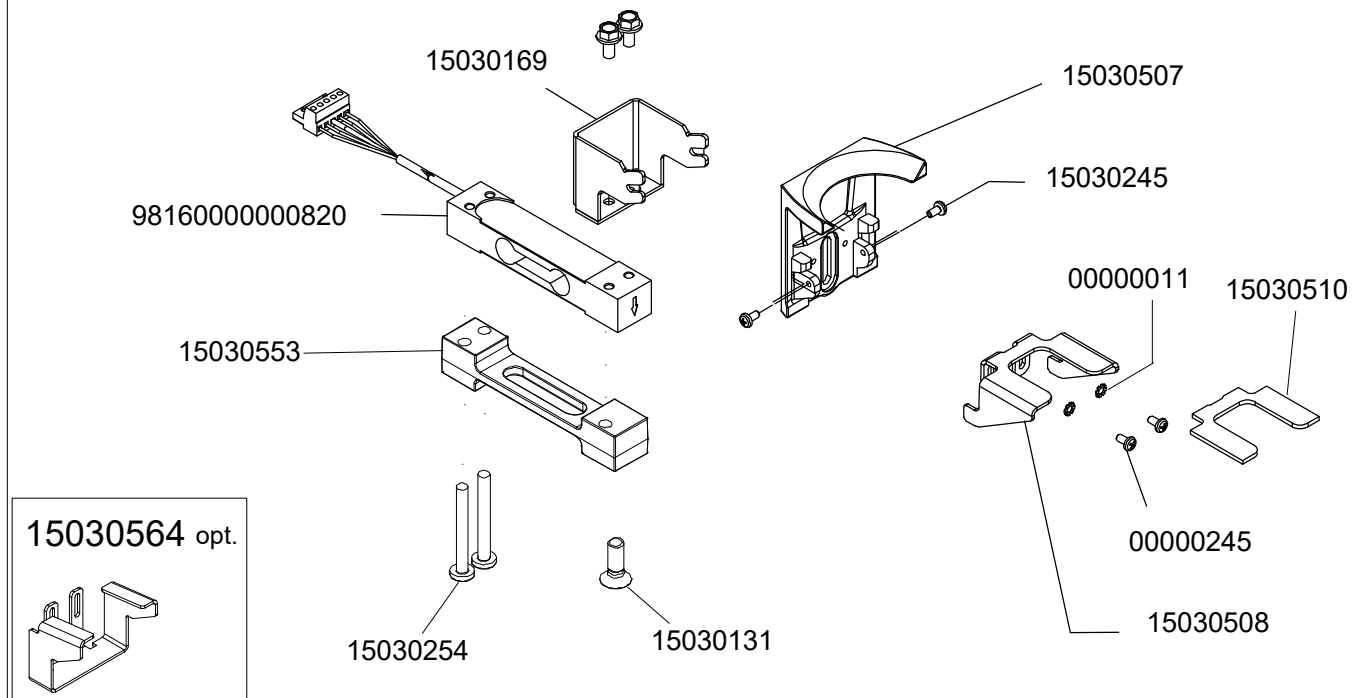
# FORCELLE TIMER-GRAVI

# FORKS TIMER-GRAVI

## TIMER



## GRAVI





Mythos

**FORCELLE TIMER-GRAVI****FORKS TIMER-GRAVI**

COD.	DESCRIPTION	DESCRIZIONE	VAL.
00000011	S/S KNURLED WASHER M4 UNI8842/A	RONDELLA INOX M4 ZIGRINATA UNI8842/A	
00000245	S/S SCREW M4X8 TC TCR DIN 7985	VITE INOX M4x8 TC TCR DIN 7985	
03003251	SCALE EXTENT SUPPORT VA388	LAMIERA SPESSORE SUPPORTO BILANCIA VA388	
15030095	MICROSWITCH ACTIVATION GRINDER MYTHOS ONE 4110	MICROSW ATTIV. MACIN. MYTHOS ONE 4110.0014	
15030131	S/S SCREW M6x16 TSP T.CR. 6060.0012	VITE INOX M6x16 TSP TCR 6060.0012	
15030169	SCALE PORTAFILTER SUPPORT MYTHOS 2 4600.0093	SUPP. PORTAF. BILAN. MYTHOS 2 4600.0093	
15030217	CONNECTION CABLE MICRO ACTIVATION GRINDER MYTH	CAVO COLL. MICRO ATTIV. MACIN. MYTHOS 2 CAV44	
15030218	GUIDE NUT MICRO ACTIVATION GRINDER MYTHOS 2 6050	DADO GUIDA MICRO ATTIV. MACIN. MYTHOS 2 6050.0019	
15030219	SCALE HOLES CLOSING MYTHOS 2 4600.0096	CHIUSURA FORI BILANCIA MYTHOS 2 4600.0096	
15030245	STAINLESS STEEL SCREW M4x8 TE 6060.0127	VITE INOX M4x8 TE 6060.0127	
15030254		VITE M6X50 TCC ISO 7045/UNI 7687 ZINCA 6060.0188	
15030507	FORK 4650.0089A0R01-XP5	FORCELLA NM2/NM1 LUCIDATA4650.0089A0R01-XP5	
15030508	PORTAFILTER STAFF HOLDER 4650.0089LMR00-901	STAFFA PORTAFILTRO NM2/NM1 ACCIAIO INOX LUCIDO465	
15030510	FORK ADHESIVE RUBBER 6045.0013	GOMMA ADESIVA FORCELLA NUOVI MYTHOS6045.0013	
15030512	S/S SCREW CROSS CYL HEAD M6X16 6060.0169	VITE TCC 6X16 INOX(A2) ISO 7045-H6060.0169	
15030516	SCALE SUPPORT 4600.0094A0R01-XXL	SUPPORTO BILANCIA x MYTHOS 24600.0094A0R01-XXL	
15030553	SCALE SUPPORT WITH LIMIT SWITCH 4650.0094A0R00-XX	SUPPORTO BILANCIA CON FINECORSA 4650.0094A0R00-XX	
15030564	PORTAFILTER FORK MYTHOS VA "MZ" RIC-FOR.4650-001	FORCELLA MYTHOS VA "MZ" RIC-FOR.4650-001	
98160000000820	LOAD CELL SET W/ CONNECTOR VA388	ASSIEME CELLA DI CARICO VA388 + CONNETTORE	
R98160000000820	KIT-LOAD CELL SET W/ CONNECTOR - 1Pcs	KIT-ASSIEME CELLA DI CARICO + CONNETTORE - 1Pz	



INSPIRED BY YOUR PASSION.

Simonelli Group s.p.a.  
Via E. Betti, 1 - 62020 Belforte  
del Chienti - (MC) Italy  
Tel. +39 0733.950243 - Fax +39  
0733.850247  
e-mail: [info@victoriaarduino.com](mailto:info@victoriaarduino.com)  
com [www.victoriaarduino.com](http://www.victoriaarduino.com)